

# LED Flat Light



## F3340TC117B.ALWE000



- Energy savings up to 54% (33W for replacing T8 18W X 4 fixture)
- Uniform light distribution
- Light weight for fast and reliable installation
- Plug-and-play interface for motion sensor or DALI/ZigBee control
- Application
  - Offices, Schools

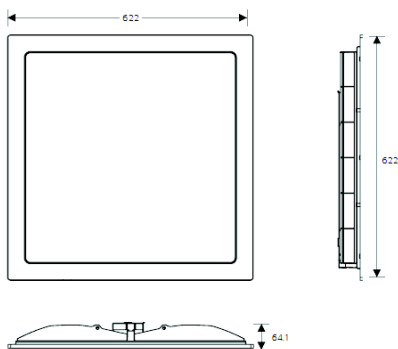
### Specification



Type	UGR 23	Beam angle (°)	114
Equivalent to (W)	T8 18W x4	Color temperature (K)	4,000
Wattage (W)	33	Color rendering index (Ra)	80
Lumen output (lm)	3,500	Operating temperature (°C)	-20 ~ +40
Efficacy (lm/W)	106	Average lifetime (hrs)	50,000 (L80B10)
Voltage (V AC)	220 ~ 240	Dimensions (LxWxH, mm)	622 x 622 x 64.1
Frequency (Hz)	50/60	Weight (kg)	2.5
Input current (mA)	Max. 170	IP / IK Level	40 / 02
Power factor	> 0.9	Surge Protection (kV)	< 1.0
THD (%)	< 20	Glow wire test (°C)	850
Inrush current (A)	Max. 30 (I peak max)	Dimmable (Optional)	0-10V (DALI/ZigBee)
T_50% I peak (µsec)	1.0	Certification	CE, ENEC

※ Specifications are subject to change without notice

### Dimensions



### Photometric Data

