

Description:

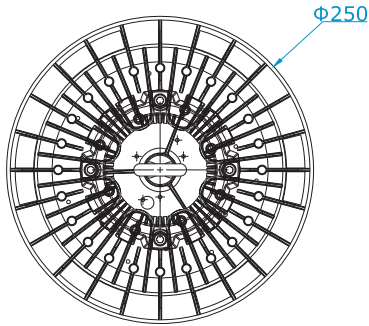
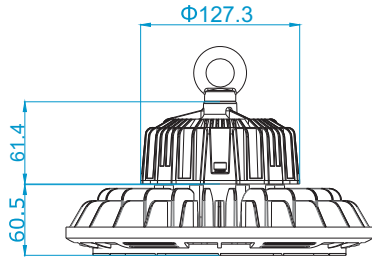
- ★ This product use durable and long life span LED light source, downy light, no glare, simple design.
- ★ This product waterproof and dustproof level 65. Can be used in various of places.
- ★ Mainly use the aluminum alloy as the material with PC lens . Work safely and durable under different conditions.
- ★ Adopted 2835 SMD Led light source, Large-Size Chip with High brightness and low light fades, Enough Current margin, Led chip Rated current 150mA, actual use only 120mA, Extend led Lights lifespan and increase Light Efficiency.
- ★ Adopted DALI Dimming Driver, Universal AC Input/Full range up to AC 220-240V. Protection function: short circuit/over current/over voltage/over temperature, Built-in. active PFC function, $PF \geq 0.95$ and Conversion efficiency $\geq 94\%$ Fully encapsulated with IP65 Level.
- ★ Warm/pure/cool white all avialble with high CRI
- ★ Integrated fixture structure, Air convection design for reliable lifetime.

Applications:

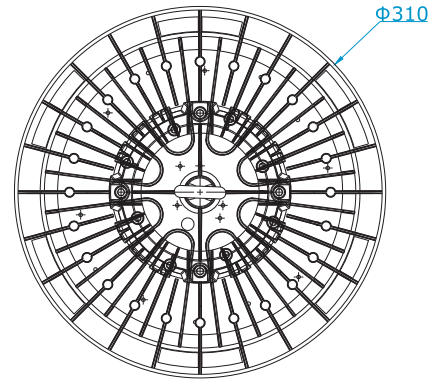
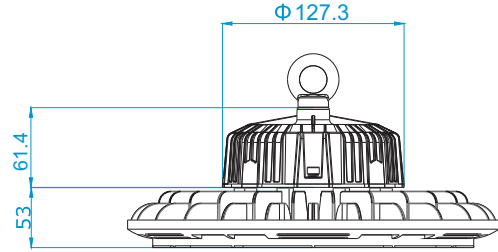
For the workshop, factory, warehouse, highway toll stations, gas stations, supermarkets, exhibition halls, stadiums and Other places of lighting required.



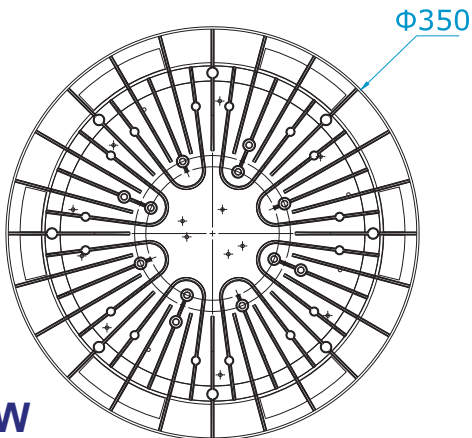
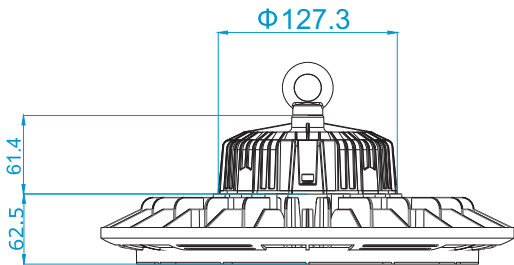
Dimensions(Unit:mm)



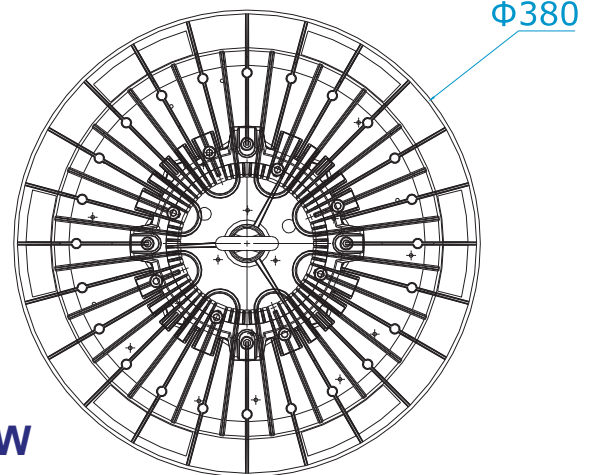
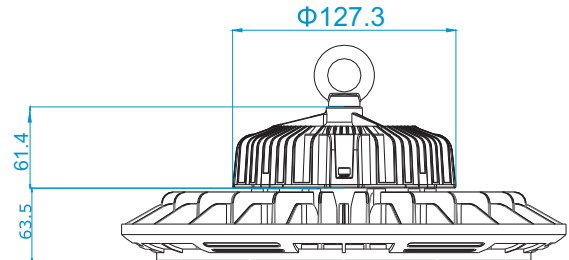
100W



150W

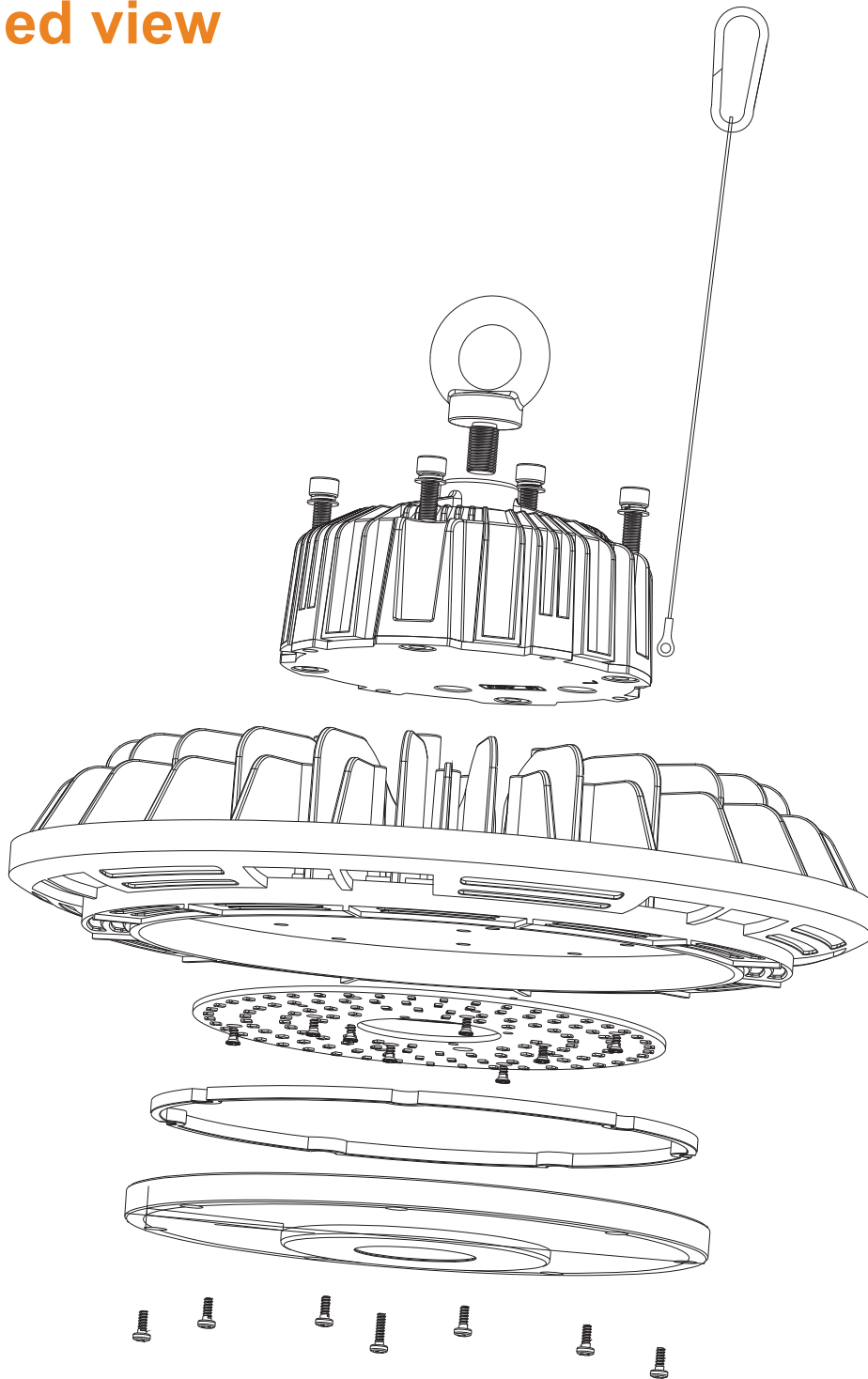


200W




240W

Exploded view



Electrical/Optical Characteristics/Specifications

MODEL:SHB100W-230V-UFO

Input Voltage	Max.Current	Operating Voltage	Constant Current	Power Consumption	Power Factor	
AC200-240V	0.5A	DC210V	0.42A	100W	≥0.95	
LED Type	LED Q'ty	CRI	CCT	2900-3100K	4000-4500K	5500-6000K
			Luminous efficiency	140LM/W	150LM/W	150LM/W
SMD2835	140PCS	≥80Ra	Luminous flux	14000LM±10%	15000LM±10%	15000LM±10%
			Beam Angle	120° or 90°		
Life Time	Certifications	IP Code	Luminaires Class	product dimension	N.W	
50.000Hours	CE,RoHS	IP65	Class I	Φ250*122mm	2.55Kg	
Operating Temperature	Storage Temperature	Humidity Operating	Humidity Storage	Packing dimension	G.W	
-20°Cto+50°C	-30°Cto+60°C	10-80%RH	10-90%RH	L280*W280*H150mm	2.85Kg	
Outer carton package	4*1layer=4PCS/carton,K=K corrugated paper, L585*W295*H340mm,GW:12.14KG					
Optional dimming type	DALI dimming					

MODEL:SHB150W-230V-UFO

Input Voltage	Max.Current	Operating Voltage	Constant Current	Power Consumption	Power Factor	
AC200-240V	0.75A	DC210V	0.64A	150W	≥0.95	
LED Type	LED Q'ty	CRI	CCT	2900-3100K	4000-4500K	5500-6000K
			Luminous efficiency	140LM/W	150LM/W	150LM/W
SMD2835	210PCS	≥80Ra	Luminous flux	21000LM±10%	22500LM±10%	22500LM±10%
			Beam Angle	120° or 90°		
Life Time	Certifications	IP Code	Luminaires Class	product dimension	N.W	
50.000Hours	CE,RoHS	IP65	Class I	Φ310*114mm	3.2Kg	
Operating Temperature	Storage Temperature	Humidity Operating	Humidity Storage	Packing dimension	G.W	
-20°Cto+50°C	-30°Cto+60°C	10-80%RH	10-90%RH	L340*W340*H140mm	3.5Kg	
Outer carton package	3*1layer=3PCS/carton,K=K corrugated paper, L360*W360*H465mm,GW:11.3KG					
Optional dimming type	DALI dimming	