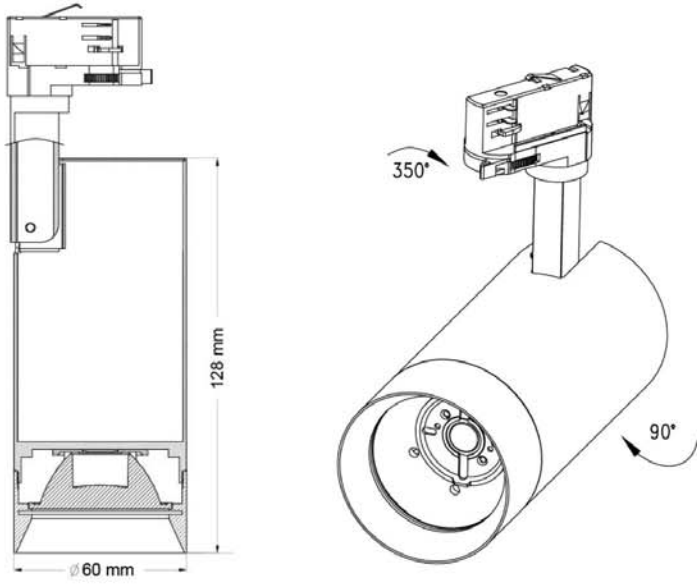
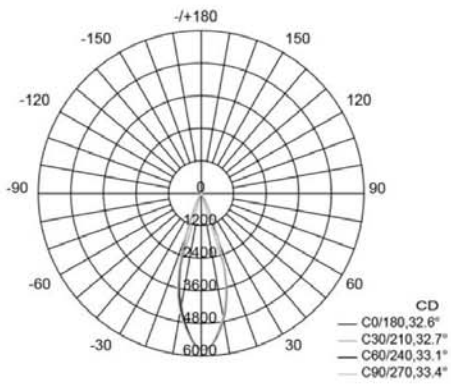


Technical Drawings



Photometric Information



Distance (m)	Avg. Emax (lx)	Diameter (cm)
10m	38.67, 58.13lx	584.75cm
15m	17.19, 25.83lx	877.13cm
20m	9.667, 14.53lx	1169.50cm
30m	4.297, 6.458lx	1754.26cm
50m	1.547, 2.325lx	2923.76cm

Angle: 32.60deg

