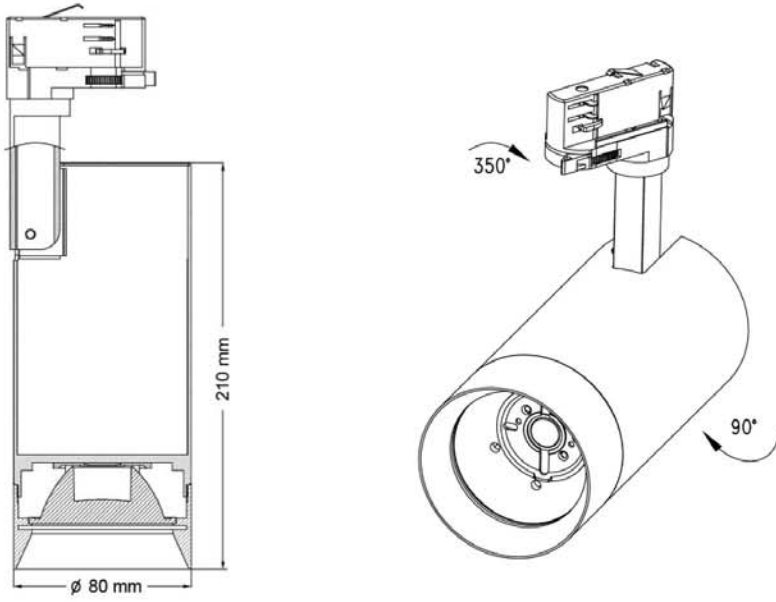


Technical Drawings



Photometric Information

