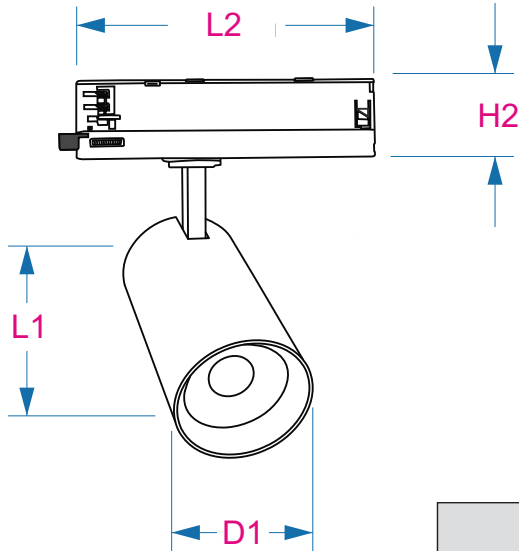


Dimensions



Model	Power	Light Cup Size(D1*L1)	Driver Size(L2*H2)
STK10W230V	10W	Φ 60*120mm	L162*H42mm
STK20W230V	20W	Φ 65*130mm	L162*H42mm
STK30W230V	30W	Φ 78*160mm	L162*H42mm
STK40W230V	40W	Φ 90*158mm	L162*H42mm

Light distribution curve

LUMINOUS INTENSITY DISTRIBUTION DIAGRAM

