

BTL LED

Track light projector



[V] 220-240 AC	[Hz] 50	≥30000	50000	ellipse ≤ 6x MacAdam	Ra 90	COB
90°	0,5m	IP 20	5+25	°C 5+25	340°	



BTL 18W-930-W



	[W]	[lm]	Tc [K]	[°]	
BTL 18W-930-W	35650	18	1800	3000	15-45 white
BTL 18W-930-B	35651	18	1750	3000	15-45 black
BTL 18W-940-W	35652	18	1800	4000	15-45 white
BTL 18W-940-B	35653	18	1750	4000	15-45 black
BTL 28W-930-W	35654	28	3000	3000	15-45 white
BTL 28W-930-B	35655	28	2800	3000	15-45 black
BTL 28W-940-W	35656	28	3000	4000	15-45 white
BTL 28W-940-B	35657	28	2800	4000	15-45 black
BTL 38W-930-W	35658	38	4000	3000	15-45 white
BTL 38W-930-B	35659	38	3800	3000	15-45 black
BTL 38W-940-W	35660	38	4000	4000	15-45 white
BTL 38W-940-B	35661	38	3800	4000	15-45 black

The new Kanlux BTL fittings are intended for mounting on the 3-circuit rails of the Kanlux TEAR system. The advantages of the new Kanlux BTL luminaires are: luminous efficacy up to 100lm / W, high CRI (> 90), durability of 50,000 hours and a 5-year warranty. The luminaire adapter is integrated with the power supply, and you can choose from two colors of the luminaire (black and white) and two different versions (directional or with a wide beam angle). Kanlux BTL luminaires in the directional version have an adjustable optical system that allows you to change the lighting angle (15/25/45 degrees), as well as an optical diaphragm in the set, which reduces the glare effect.

- 5 years Warranty under the terms of the warranty statement, available on our website

BTL LED

Track light projector

- Enclosure material: aluminum alloy



BTL 18W-930-W



BTL 18W-930-B



BTL 18W-940-W



BTL 18W-940-B



BTL 28W-930-W



BTL 28W-930-B



BTL 28W-940-W



BTL 28W-940-B

BTL LED

Track light projector



BTL 38W-930-W



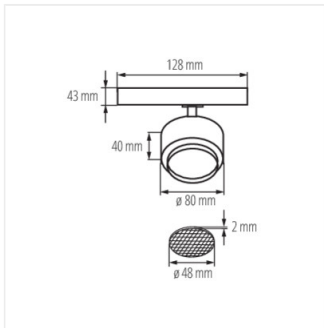
BTL 38W-930-B



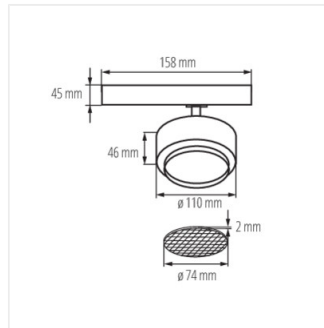
BTL 38W-940-W



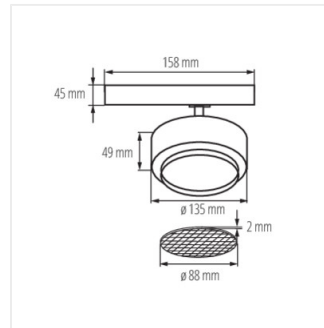
BTL 38W-940-B



BTL 18W



BTL 28W



BTL 38W

